

# USB 2.0 High-Speed (480 Mbps) and Audio Switches with Negative Signal Capability and 1.8-V Logic Compatibility

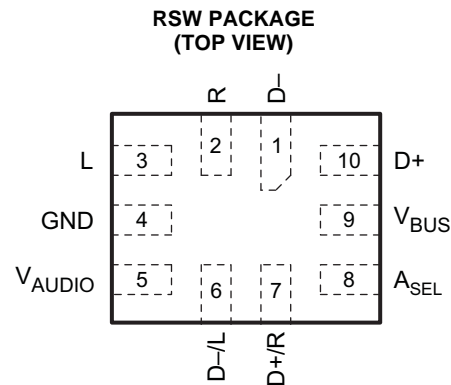
Check for Samples: [TS5USBA224](#)

## FEATURES

- **High-Speed USB Switch:**
  - 4  $\Omega$   $R_{\text{DS(on)}}$  Typical
  - 12.5 pF  $C_{\text{ON}}$  Typical
  - 650-MHz Bandwidth (–3 dB)
- **Audio Switch:**
  - 3  $\Omega$   $R_{\text{DS(on)}}$  Typical
  - Negative Rail Capability
  - Low THD: <0.05%
  - Internal Shunt Resistors for Click-and-Pop Reduction
  - Powered From  $V_{\text{AUDIO}}$  (2.7V to 5.5V)
- **1.8-V Compatible Control Input ( $A_{\text{SEL}}$  and  $V_{\text{BUS}}$ ) Threshold**
- **$I_{\text{OFF}}$  Supports Partial Powerdown Mode**
- **ESD Performance Tested Per JESD 22**
  - 2000-V Human-Body Model (A114-B, Class II)
  - 1000-V Charged-Device Model (C101)
  - 200-V Machine Model (A115-A)

## APPLICATIONS

- Cellular Phones
- Personal Digital Assistants (PDAs)
- Portable Instrumentation
- Digital Still Cameras
- Portable Navigation Devices



## DESCRIPTION

The TS5USBA224 is a double-pole, double throw (DPDT) multiplexer that includes a low-distortion audio switch and a USB 2.0 High-Speed (480Mbps) switch in the same package. This configuration allows the system designer to use a common connector for audio and USB data. The audio switch is designed to allow audio signals to swing below ground which makes this common connector configuration possible.

The TS5USBA224 is powered up using  $V_{\text{AUDIO}}$ . When  $A_{\text{SEL}}=\text{High}$ , the audio path is selected regardless of the logic level at  $V_{\text{BUS}}$ . If  $A_{\text{SEL}}=\text{Low}$  and  $V_{\text{BUS}}=\text{High}$ , the USB path is selected. Otherwise if  $A_{\text{SEL}}=\text{Low}$  and  $V_{\text{BUS}}=\text{Low}$ , the audio path is selected.

The TS5USBA224 also features shunt resistors on the audio path to reduce clicks and pops that may be heard when the audio switches are selected.

## ORDERING INFORMATION

$T_A$	PACKAGE <sup>(1)</sup> <sup>(2)</sup>		ORDERABLE PART NUMBER	TOP-SIDE MARKING
–40°C to 85°C	QFN 0.4-MM PITCH – RSW (Pb-Free)	Tape and reel	TS5USBA224RSWR	A5R

(1) Package drawings, thermal data, and symbolization are available at [www.ti.com/packaging](http://www.ti.com/packaging).

(2) For the most current package and ordering information, see the Package Option Addendum at the end of this document, or see the TI website at [www.ti.com](http://www.ti.com).



Please be aware that an important notice concerning availability, standard warranty, and use in critical applications of Texas Instruments semiconductor products and disclaimers thereto appears at the end of this data sheet.



These devices have limited built-in ESD protection. The leads should be shorted together or the device placed in conductive foam during storage or handling to prevent electrostatic damage to the MOS gates.

### SUMMARY OF TYPICAL CHARACTERISTICS

	USB PATH	AUDIO PATH
Number of switches	2	2
ON-state resistance ( $r_{on}$ )	4 $\Omega$	3 $\Omega$
ON-state resistance match ( $\Delta r_{on}$ )	< 0.3 $\Omega$	< 0.3 $\Omega$
ON-state resistance flatness ( $r_{on(flat)}$ )	N/A	1.5 $\Omega$
Turn-on/turn-off time ( $t_{on}/t_{off}$ )	< 2 $\mu$ s	< 4 $\mu$ s
Bandwidth (BW)	650 MHz	N/A
OFF isolation ( $O_{ISO}$ )	-22 dB	-83 dB
Crosstalk ( $X_{TALK}$ )	-31 dB	-83 dB
Total harmonic distortion (THD)	N/A	0.05%

### PIN DESCRIPTION TABLE

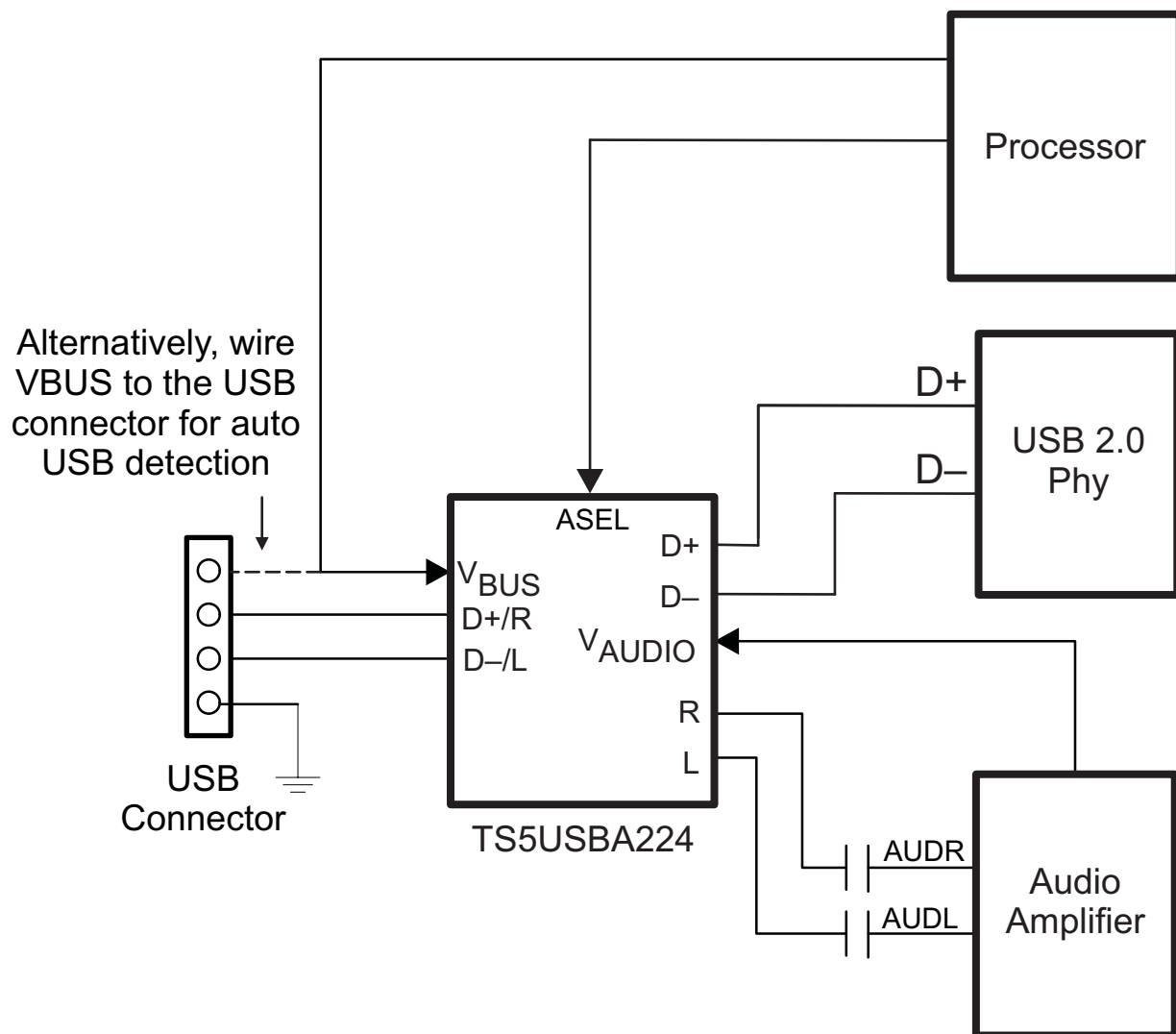
PIN			DESCRIPTION
NO.	NAME	TYPE	
1	D-	I/O	USB Data (Differential -)
2	R	I/O	Right Channel Audio
3	L	I/O	Left Channel Audio
4	GND	Ground	Ground
5	V <sub>AUDIO</sub>	Power	Supply Voltage
6	D-/L	I/O	USB/Audio Common Connector
7	D+/R	I/O	USB/Audio Common Connector
8	A <sub>SEL</sub>	Input	Control Input for Audio Path
9	V <sub>BUS</sub>	Input	Control Input for USB Path
10	D+	I/O	USB Data (Differential +)

FUNCTION TABLE

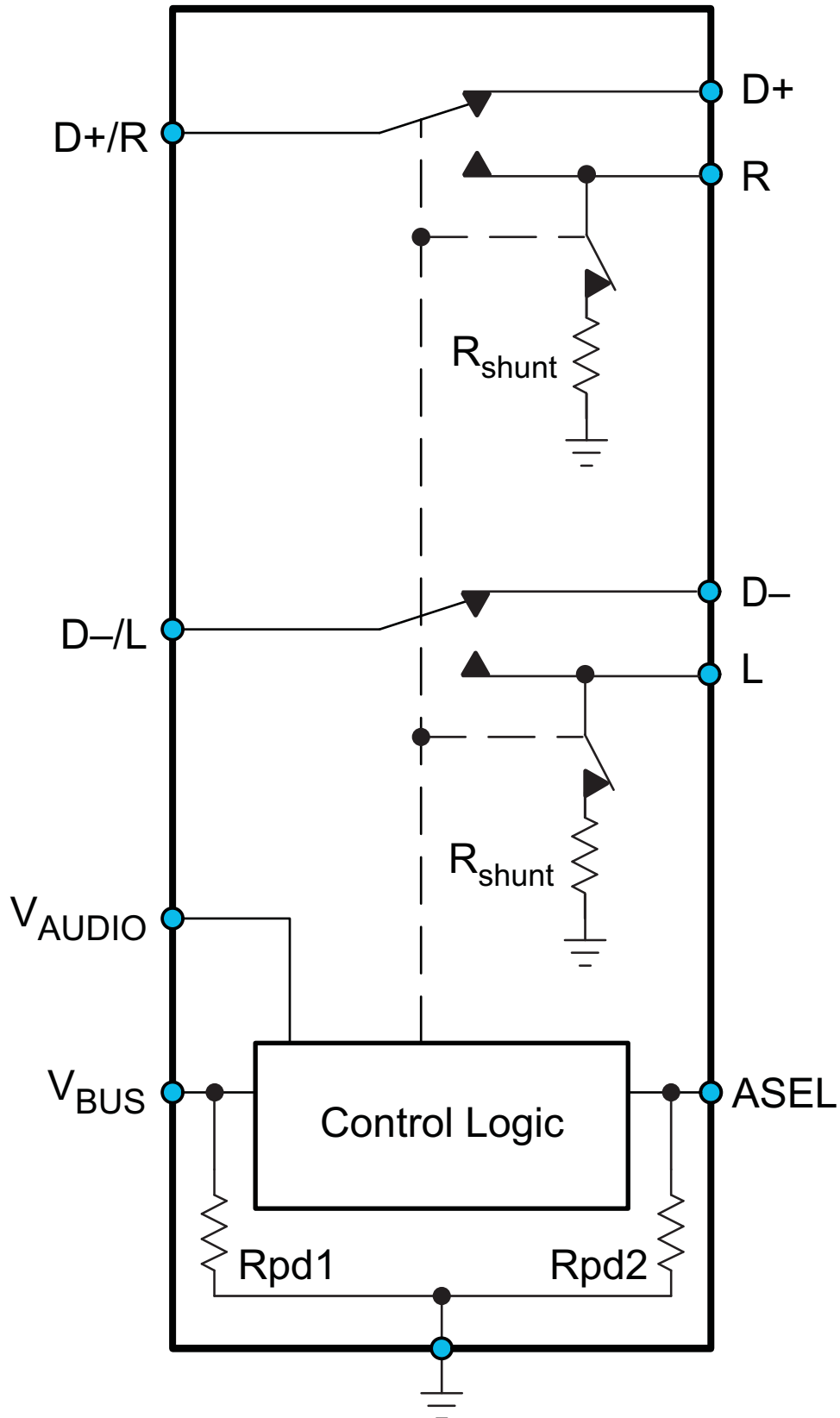
ASEL	V <sub>AUDIO</sub>	V <sub>BUS</sub>	L,R	D+, D-
L	L	L	OFF	OFF
L	L	H	OFF	OFF
L	H	L	ON	OFF
L	H	H	OFF <sup>(1)</sup>	ON
H	L	L	OFF	OFF
H	L	H	OFF	OFF
H	H	L	ON	OFF
H	H	H	ON	OFF

(1) 100Ω shunt resistors are enabled in this state.

TYPICAL APPLICATION BLOCK DIAGRAM



SWITCH BLOCK DIAGRAM



**ABSOLUTE MAXIMUM RATINGS<sup>(1)(2)</sup>**

over operating free-air temperature range (unless otherwise noted)

		MIN	MAX	UNIT
V <sub>AUDIO</sub>	Supply voltage range <sup>(3)</sup>	-0.5	6.5	V
V <sub>D+</sub> V <sub>D-</sub>	Analog voltage Range <sup>(3)</sup>	-0.5	6.5	V
V <sub>R</sub> V <sub>L</sub>		V <sub>AUDIO</sub> - 6.5	V <sub>AUDIO</sub> + 0.5	V
I <sub>K</sub>	Analog port diode current	V <sub>D+</sub> , V <sub>D-</sub> < 0		mA
I <sub>D+</sub> , I <sub>D-</sub> I <sub>R</sub> , I <sub>L</sub>	ON-state switch current	V <sub>D+</sub> , V <sub>D-</sub> = 0 to V <sub>AUDIO</sub> , V <sub>R</sub> , V <sub>L</sub> V <sub>D+/R</sub> , V <sub>D-/L</sub> = V <sub>AUDIO</sub> - 5.5 V to V <sub>AUDIO</sub>		mA
I <sub>D+/R</sub> I <sub>D-/L</sub>	ON-state peak switch current <sup>(4)</sup>	-200	200	
V <sub>I</sub>	Digital input voltage range	-0.5	6.5	V
I <sub>IK</sub>	Digital logic input clamp current <sup>(3)</sup>	V <sub>I</sub> < 0		mA
I <sub>AUDIO</sub>	Continuous current through V <sub>AUDIO</sub>		100	mA
I <sub>GND</sub>	Continuous current through GND	-100		mA
T <sub>stg</sub>	Storage temperature range	-65	150	°C

- (1) Stresses beyond those listed under "absolute maximum ratings" may cause permanent damage to the device. These are stress ratings only, and functional operation of the device at these or any other conditions beyond those indicated under "recommended operating conditions" is not implied. Exposure to absolute-maximum-rated conditions for extended periods may affect device reliability.
- (2) The algebraic convention, whereby the most negative value is a minimum and the most positive value is a maximum.
- (3) All voltages are with respect to ground, unless otherwise specified.
- (4) Pulse at 1-ms duration <10% duty cycle.

**PACKAGE THERMAL IMPEDANCE<sup>(1)</sup>**

over operating free-air temperature range (unless otherwise noted)

PARAMETER	TEST CONDITIONS	TYP	UNIT
θ <sub>JA</sub>	Package thermal impedance RSW package	175	°C/W

- (1) The package thermal impedance is calculated in accordance with JESD 51-7.

**ELECTRICAL CHARACTERISTICS**

T<sub>A</sub> = -40°C to 85°C, typical values are at V<sub>AUDIO</sub> = 3.3 V, T<sub>A</sub> = 25°C (unless otherwise noted)

PARAMETER	TEST CONDITIONS	MIN	TYP	MAX	UNIT
<b>USB SWITCH</b>					
V <sub>D+</sub> , V <sub>D-</sub>	Analog voltage range	0		5.5	V
r <sub>on</sub>	ON-state resistance	V <sub>AUDIO</sub> = 3 V, V <sub>BUS</sub> = 5 V, V <sub>ASEL</sub> = 0 V, V <sub>D+/D-</sub> = 0 V, 0.4 V, I <sub>ON</sub> = -8 mA		4	7 Ω
Δr <sub>on</sub>	ON-state resistance match between channels	V <sub>AUDIO</sub> = 3 V, V <sub>BUS</sub> = 5 V, V <sub>ASEL</sub> = 0 V, V <sub>D+/D-</sub> = 0 V, 0.4 V, I <sub>ON</sub> = -8 mA		0.3	Ω
I <sub>D+(OFF)</sub> I <sub>D-(OFF)</sub>	D+ ,D- OFF leakage current	V <sub>AUDIO</sub> = 3.6 V, V <sub>BUS</sub> = 0 V, V <sub>ASEL</sub> = 3.6 V, V <sub>D+</sub> , V <sub>D-</sub> = 0.3 V, V <sub>D+/R</sub> , V <sub>D-/L</sub> = 0.3 V		±50	nA
I <sub>D+(ON)</sub> I <sub>D-(ON)</sub>	D+ ,D- ON leakage current	V <sub>AUDIO</sub> = 3.6 V, V <sub>BUS</sub> = 5 V, V <sub>ASEL</sub> = 0 V, V <sub>D+</sub> , V <sub>D-</sub> = 0.3 V, V <sub>D+/R</sub> = Open		±50	nA
<b>AUDIO SWITCH</b>					
V <sub>R</sub> , V <sub>L</sub>	Analog voltage range	V <sub>AUDIO</sub> - 5.5	V <sub>AUDIO</sub>		V
r <sub>on</sub>	ON-state resistance	V <sub>AUDIO</sub> = 3 V, V <sub>BUS</sub> = 0 V, V <sub>ASEL</sub> = 3 V, V <sub>L/R</sub> = -2 V, 0 V, 0.7 V, I <sub>ON</sub> = -26 mA		3	5 Ω
Δr <sub>on</sub>	ON-state resistance match between channels	V <sub>AUDIO</sub> = 3 V, V <sub>BUS</sub> = 0 V, V <sub>ASEL</sub> = 3 V, V <sub>L/R</sub> = 0.7 V, I <sub>ON</sub> = -26 mA		0.3	Ω
r <sub>on</sub> (flat)	ON-state resistance flatness	V <sub>AUDIO</sub> = 3 V, V <sub>BUS</sub> = 0 V, V <sub>ASEL</sub> = 3 V, V <sub>L/R</sub> = -2 V, 0 V, 0.7 V, I <sub>ON</sub> = -26 mA		1.5	2.5 Ω

**ELECTRICAL CHARACTERISTICS (continued)**

$T_A = -40^{\circ}\text{C}$  to  $85^{\circ}\text{C}$ , typical values are at  $V_{\text{AUDIO}} = 3.3\text{ V}$ ,  $T_A = 25^{\circ}\text{C}$  (unless otherwise noted)

PARAMETER		TEST CONDITIONS		MIN	TYP	MAX	UNIT
$r_{\text{SHUNT}}$	Shunt resistance	$V_{\text{AUDIO}} = 3\text{ V}$ , $V_{\text{BUS}} = 5\text{ V}$ , $V_{\text{ASEL}} = 0\text{ V}$ , $V_{\text{L/R}} = 0.7\text{ V}$ , $I_{\text{OSHUNT}} = 10\text{ mA}$	Switch OFF		100	200	$\Omega$
$I_{\text{L(OFF)}}$ $I_{\text{R(OFF)}}$	L, R OFF leakage current	$V_{\text{AUDIO}} = 3.6\text{ V}$ , $V_{\text{BUS}} = 5\text{ V}$ , $V_{\text{ASEL}} = 0\text{ V}$ , $V_{\text{R}}, V_{\text{L}} = 0.3\text{ V}$ , $V_{\text{AUDIO}} - 0.3\text{ V}$ , $V_{\text{D+R}}, V_{\text{D-L}} = 0.3\text{ V}$ , $V_{\text{AUDIO}} - 0.3\text{ V}$	Switch OFF			$\pm 50$	nA
$I_{\text{L(ON)}}$ $I_{\text{R(ON)}}$	L, R ON leakage current	$V_{\text{AUDIO}} = 3.6\text{ V}$ , $V_{\text{BUS}} = 0\text{ V}$ , $V_{\text{ASEL}} = 3.6\text{ V}$ , $V_{\text{D+R}}, \text{D-L} = 0.3\text{ V}$ , $V_{\text{R}}, V_{\text{L}} = 0.3\text{ V}$ , $V_{\text{AUDIO}} - 0.3\text{ V}$ , $V_{\text{AUDIO}} - 0.3\text{ V}$ $V_{\text{D+R}}, V_{\text{D-L}} = \text{Open}$	Switch ON			$\pm 50$	nA
<b>DIGITAL CONTROL INPUTS (<math>A_{\text{SEL}}</math>, <math>V_{\text{BUS}}</math>)</b>							
$V_{\text{IH}}$	Input logic high	$V_{\text{AUDIO}} = 2.7\text{V to } 5.5\text{V}$		1.2			V
$V_{\text{IL}}$	Input logic low	$V_{\text{AUDIO}} = 2.7\text{V to } 5.5\text{V}$				0.5	V
$I_{\text{IN}}$	Input leakage current	$V_{\text{AUDIO}} = 3.6\text{V}$	$V_{\text{IN}} = 3.6\text{V}$			$\pm 10$	$\mu\text{A}$
			$V_{\text{IN}} = 0\text{V}$			$\pm 1$	
$r_{\text{PD1}}$	Internal pulldown resistance				3		$\text{M}\Omega$
$r_{\text{PD2}}$	Internal pulldown resistance				5		$\text{M}\Omega$

**DYNAMIC CHARACTERISTICS**
 $T_A = -40^{\circ}\text{C}$  to  $85^{\circ}\text{C}$ , typical values are at  $V_{\text{AUDIO}} = 3.3\text{ V}$ ,  $T_A = 25^{\circ}\text{C}$  (unless otherwise noted)

PARAMETER		TEST CONDITIONS	MIN	TYP	MAX	UNIT
<b>USB SWITCH</b>						
$t_{\text{ON}}$	Turn-on time	$V_{\text{AUDIO}} = 3\text{ V}$ , $V_{\text{BUS}} = 0\text{ V}$ to $5\text{ V}$ , $V_{\text{ASEL}} = 0\text{ V}$ , $V_{\text{D+R, D-L}} = 1\text{ V}$ , <a href="#">Figure 10</a>		2		$\mu\text{s}$
$t_{\text{OFF}}$	Turn-off time	$V_{\text{AUDIO}} = 3\text{ V}$ , $V_{\text{BUS}} = 5\text{ V}$ to $0\text{ V}$ , $V_{\text{ASEL}} = 0\text{ V}$ , $V_{\text{D+R, D-L}} = 1\text{ V}$ , <a href="#">Figure 10</a>		1		$\mu\text{s}$
$t_{\text{SK(O)}}$	Channel-to-channel skew	$f = 240\text{ MHz}$ , <a href="#">Figure 11</a>		35		ps
$t_{\text{SK(P)}}$	Skew of opposite transitions of same output	$f = t\ 240\text{ MHz}$ , <a href="#">Figure 11</a>		25		ps
$C_{\text{D+(OFF)}}$ $C_{\text{D-(OFF)}}$	D+, D-OFF capacitance	$V_{\text{AUDIO}} = 3\text{ V}$ , $V_{\text{BUS}} = 0\text{ V}$ , $A_{\text{SEL}} = 3\text{ V}$ , $f = 240\text{ MHz}$	Switch OFF	2.8		pF
$C_{\text{D+(ON)}}$ $C_{\text{D-(ON)}}$	D+, D- ON capacitance	$V_{\text{AUDIO}} = 3\text{ V}$ , $V_{\text{BUS}} = 5\text{ V}$ , $A_{\text{SEL}} = 0\text{ V}$ , $f = 240\text{ MHz}$	Switch ON	12.5		pF
$C_{\text{I}}$	Digital input capacitance	$V_{\text{AUDIO}} = 3\text{ V}$ , $V_{\text{BUS}} = 0\text{ V}$ , $A_{\text{SEL}} = 0\text{ V}$ , $f = 1\text{ MHz}$		2.2		pF
BW	Bandwidth	$V_{\text{AUDIO}} = 3\text{ V}$ , $V_{\text{BUS}} = 5\text{ V}$ , $V_{\text{ASEL}} = 0\text{ V}$ , <a href="#">Figure 12</a>	Switch ON	650		MHz
$O_{\text{ISO}}$	OFF Isolation	$V_{\text{AUDIO}} = 3\text{ V}$ , $V_{\text{BUS}} = 0\text{ V}$ , $V_{\text{ASEL}} = 3\text{ V}$ , $R_{\text{L}} = 50\ \Omega$ , $f = 240\text{ MHz}$ , <a href="#">Figure 14</a>	Switch OFF	-22		dB
$X_{\text{TALK}}$	Crosstalk	$V_{\text{AUDIO}} = 3\text{ V}$ , $V_{\text{BUS}} = 5\text{ V}$ , $V_{\text{ASEL}} = 0\text{ V}$ , $R_{\text{L}} = 50\ \Omega$ , $f = 240\text{ MHz}$ , <a href="#">Figure 13</a>	Switch ON	-31		dB
<b>AUDIO SWITCH</b>						
$t_{\text{ON}}$	Turn-on time	$V_{\text{AUDIO}} = 3\text{ V}$ , $V_{\text{BUS}} = 0\text{ V}$ or $5\text{ V}$ , $V_{\text{ASEL}} = 0\text{ V}$ to $3\text{ V}$ , $V_{\text{D+R, D-L}} = 1\text{ V}$ , <a href="#">Figure 10</a>		4		$\mu\text{s}$
$t_{\text{OFF}}$	Turn-off time	$V_{\text{AUDIO}} = 3\text{ V}$ , $V_{\text{BUS}} = 0\text{ V}$ , $V_{\text{ASEL}} = 3\text{ V}$ to $0\text{ V}$ , $V_{\text{D+R, D-L}} = 1\text{ V}$ , <a href="#">Figure 10</a>		1		$\mu\text{s}$
$C_{\text{L(OFF)}}$ $C_{\text{R(OFF)}}$	L, R OFF capacitance	$V_{\text{AUDIO}} = 3\text{ V}$ , $V_{\text{BUS}} = 5\text{ V}$ , $V_{\text{ASEL}} = 0\text{ V}$ , $f = 20\text{ kHz}$	Switch OFF	4.5		pF
$C_{\text{L(ON)}}$ $C_{\text{R(ON)}}$	L, R ON capacitance	$V_{\text{AUDIO}} = 3\text{ V}$ , $V_{\text{BUS}} = 0\text{ V}$ , $V_{\text{ASEL}} = 3\text{ V}$ , $f = 20\text{ kHz}$	Switch ON	15		pF
$O_{\text{ISO}}$	OFF Isolation	$V_{\text{AUDIO}} = 3\text{ V}$ , $V_{\text{BUS}} = 5\text{ V}$ , $V_{\text{ASEL}} = 0\text{ V}$ , $R_{\text{L}} = 50\ \Omega$ , $f = 20\text{ kHz}$ , <a href="#">Figure 14</a>	Switch OFF	-83		dB
$X_{\text{TALK}}$	Crosstalk	$V_{\text{AUDIO}} = 3\text{ V}$ , $V_{\text{BUS}} = 0\text{ V}$ , $V_{\text{ASEL}} = 3\text{ V}$ , $R_{\text{L}} = 50\ \Omega$ , $f = 20\text{ kHz}$ , <a href="#">Figure 13</a>	Switch ON	-83		dB
THD	Total harmonic distortion	$V_{\text{AUDIO}} = 3\text{ V}$ , $V_{\text{BUS}} = 0\text{ V}$ , $V_{\text{ASEL}} = 3\text{ V}$ , $f = 20\text{ Hz}$ to $20\text{ kHz}$ , $R_{\text{L}} = 600\ \Omega$ , $V_{\text{IN}} = 2\text{ Vpp}$		0.05		%
<b>SUPPLY</b>						
$V_{\text{AUDIO}}$	Power supply voltage			2.7	5.5	V
$I_{\text{AUDIO}}$	Positive supply current	$V_{\text{AUDIO}} = 3.6\text{ V}$ , $V_{\text{BUS}} = 0$ or $5\text{ V}$ , $V_{\text{ASEL}} = 0$ to $3.6\text{ V}$ , $I_{\text{OUT}} = 0$		6	10	$\mu\text{A}$
$I_{\text{OFF}}$	Power off leakage current	$V_{\text{AUDIO}} = 0\text{ V}$ , $V_{\text{D+R, D-L, D+, D-, L, R}} = 0$ to $5.5\text{ V}$			$\pm 10$	$\mu\text{A}$

TYPICAL CHARACTERISTICS

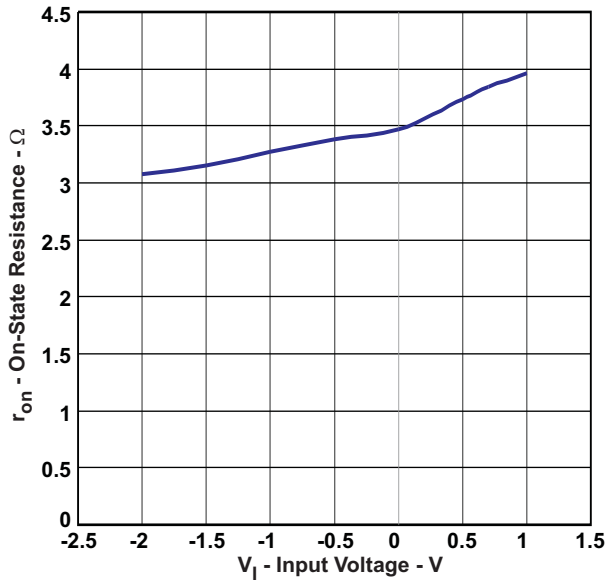


Figure 1. ON Resistance vs V<sub>1</sub> for Audio Switch

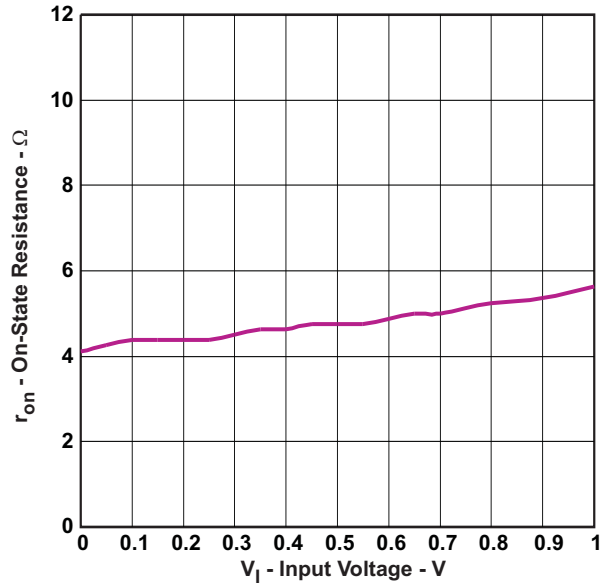


Figure 2. ON Resistance vs V<sub>1</sub> for USB Switch

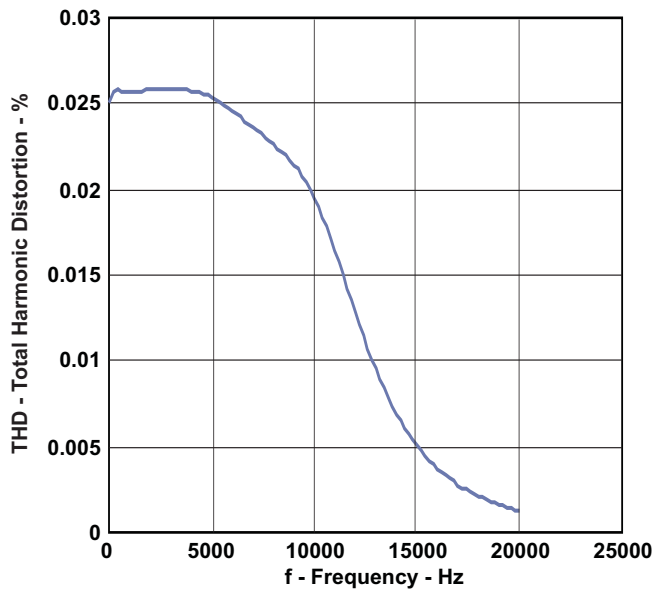


Figure 3. THD vs Frequency for Audio Switch

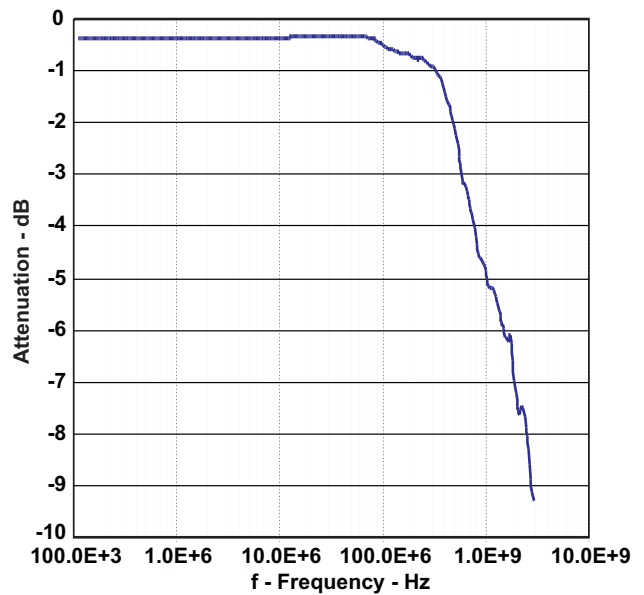


Figure 4. Gain vs Frequency for USB Switch



TYPICAL CHARACTERISTICS (continued)

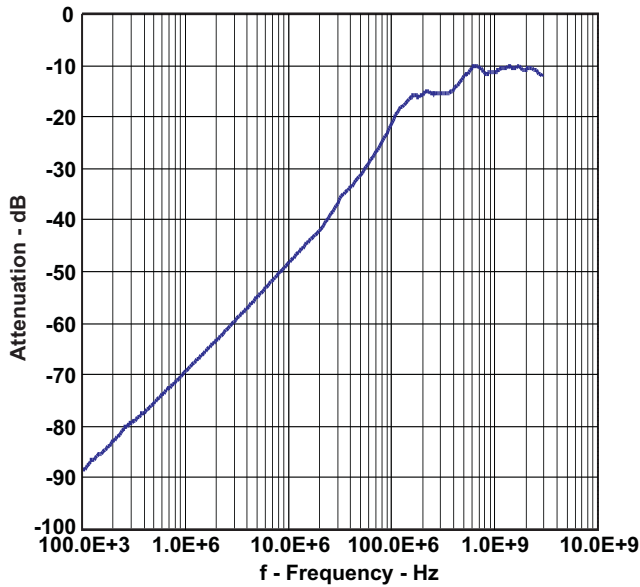


Figure 5. Off Isolation vs Frequency for Audio Switch

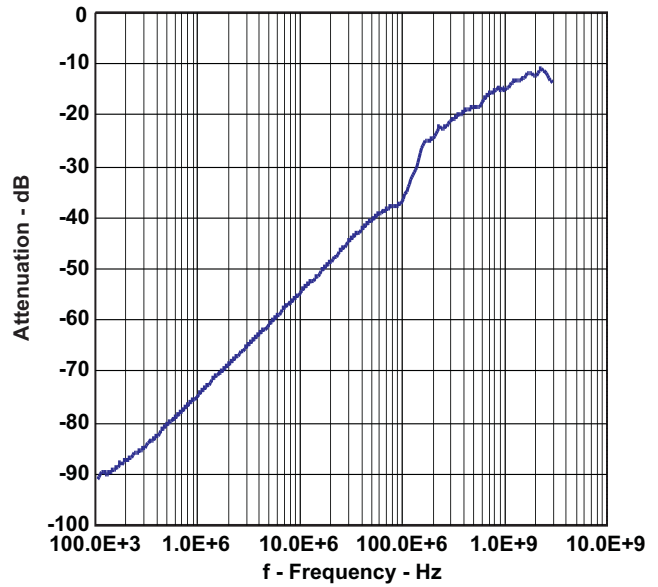


Figure 6. Off Isolation vs Frequency for USB Switch

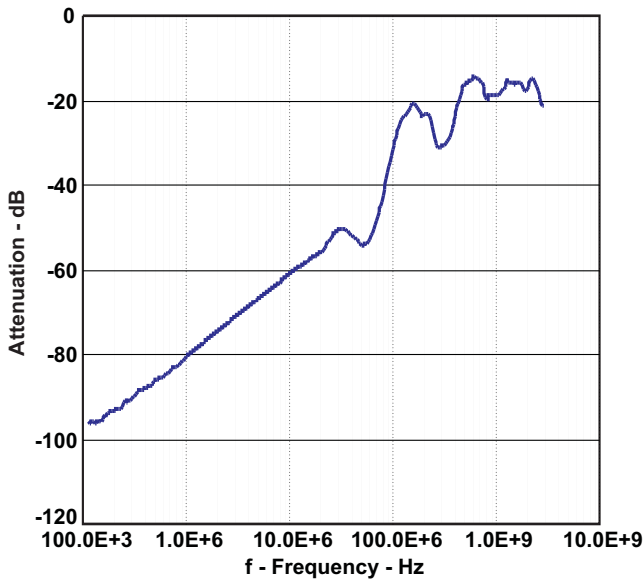


Figure 7. Cross Talk vs Frequency for Audio Switch

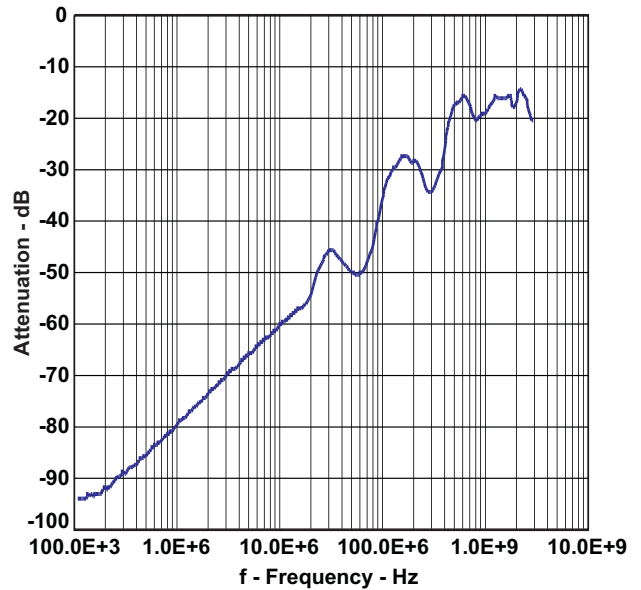
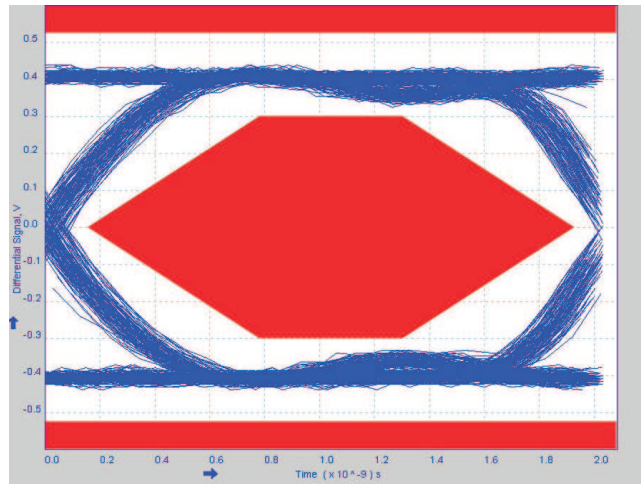


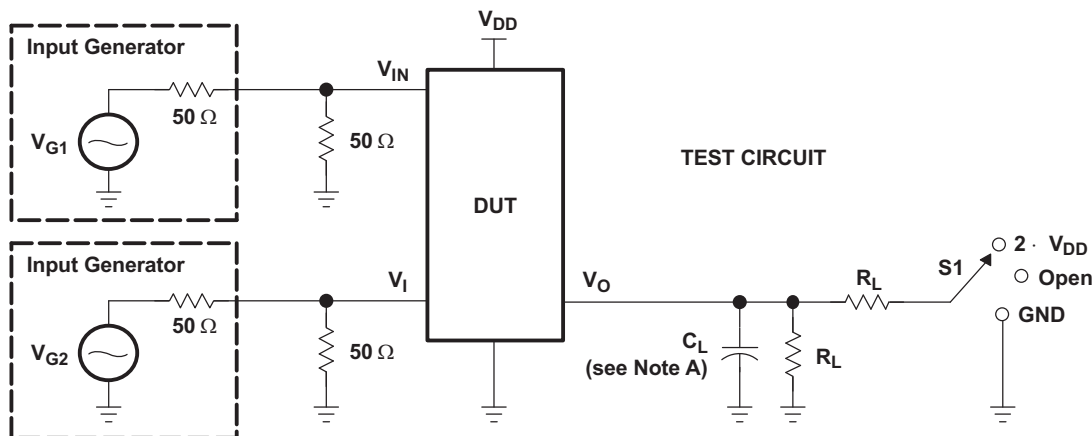
Figure 8. Cross Talk vs Frequency for USB Switch

**TYPICAL CHARACTERISTICS (continued)**

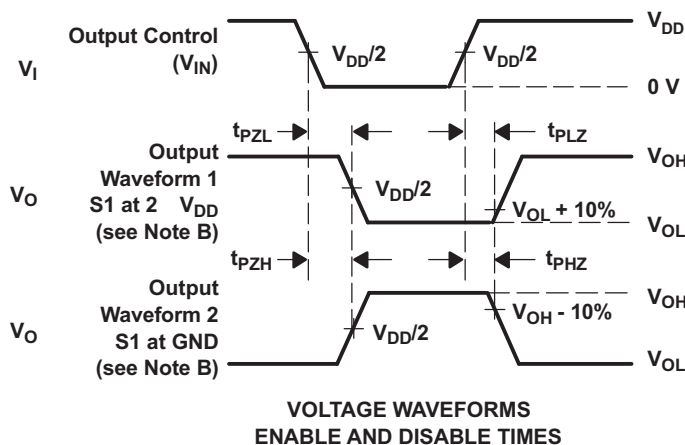


**Figure 9. USB 2.0 Eye Pattern for USB Switch**

PARAMETER MEASUREMENT INFORMATION  
(Enable and Disable Times)



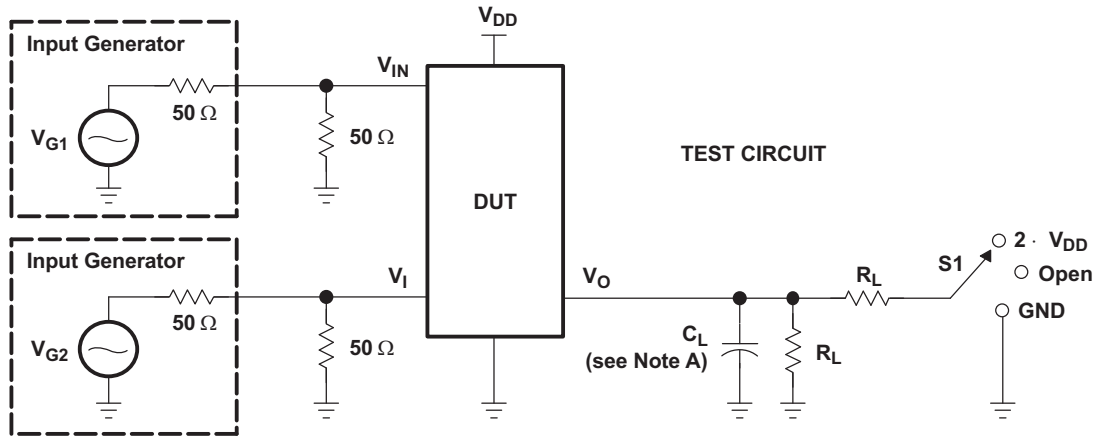
TEST	V <sub>AUDIO</sub> (V <sub>DD</sub> )	S1	R <sub>L</sub>	V <sub>in</sub>	C <sub>L</sub>	V <sub>Δ</sub>
t <sub>PLZ</sub> /t <sub>PZL</sub>	3.3 V	2 · V <sub>DD</sub>	200 Ω	GND	10 pF	0.3 V
t <sub>PHZ</sub> /t <sub>PZH</sub>	3.3 V	GND	200 Ω	V <sub>DD</sub>	10 pF	0.3 V



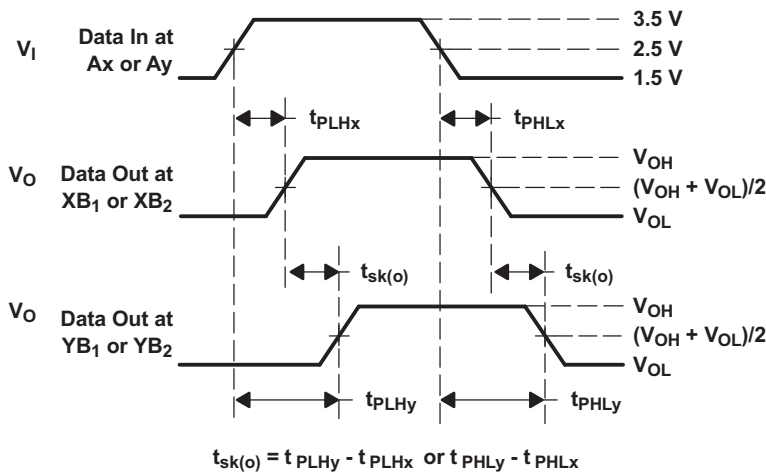
- NOTES: A. C<sub>L</sub> includes probe and jig capacitance.  
 B. Waveform 1 is for an output with internal conditions such that the output is low except when disabled by the output control. Waveform 2 is for an output with internal conditions such that the output is high, except when disabled by the output control.  
 C. All input pulses are supplied by generators having the following characteristics: PRR ≤ 10 MHz, Z<sub>O</sub> = 50 Ω, t<sub>r</sub> ≤ 2.5 ns, t<sub>f</sub> ≤ 2.5 ns.  
 D. The outputs are measured one at a time, with one transition per measurement.  
 E. t<sub>PLZ</sub> and t<sub>PHZ</sub> are the same as t<sub>dis</sub> or t<sub>OFF</sub>.  
 F. t<sub>PZL</sub> and t<sub>PZH</sub> are the same as t<sub>en</sub> or t<sub>ON</sub>.

Figure 10. Test Circuit and Voltage Waveforms

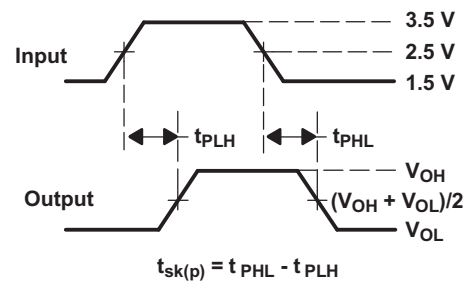
### PARAMETER MEASUREMENT INFORMATION (Skew)



TEST	V <sub>AUDIO</sub> (V <sub>DD</sub> )	S1	R <sub>L</sub>	V <sub>in</sub>	C <sub>L</sub>
t <sub>sk(o)</sub>	3.3 V ± 0.3 V	Open	200 Ω	V <sub>DD</sub> or GND	10 pF
t <sub>sk(p)</sub>	3.3 V ± 0.3 V	Open	200 Ω	V <sub>DD</sub> or GND	10 pF



**VOLTAGE WAVEFORMS  
OUTPUT SKEW (t<sub>sk(o)</sub>)**

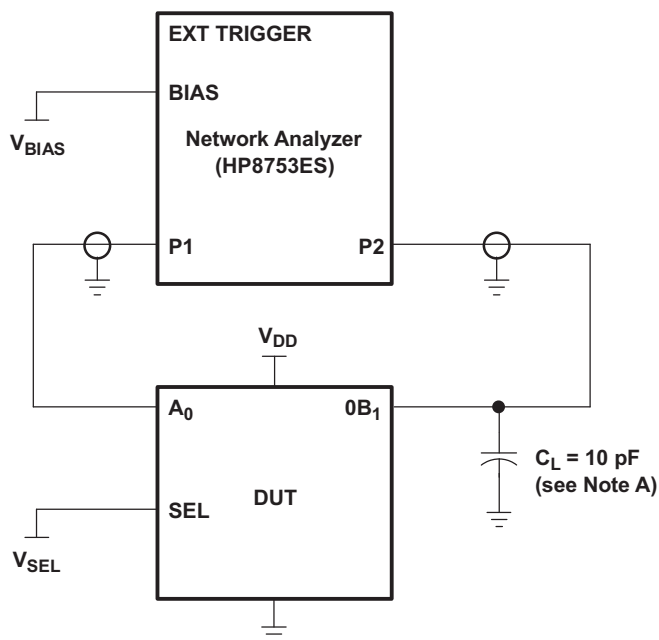


**VOLTAGE WAVEFORMS  
PULSE SKEW [t<sub>sk(p)</sub>]**

- NOTES: A. C<sub>L</sub> includes probe and jig capacitance.  
 B. Waveform 1 is for an output with internal conditions such that the output is low except when disabled by the output control. Waveform 2 is for an output with internal conditions such that the output is high, except when disabled by the output control.  
 C. All input pulses are supplied by generators having the following characteristics: PRR ≤ 10 MHz, Z<sub>O</sub> = 50 Ω, t<sub>r</sub> ≤ 2.5 ns, t<sub>f</sub> ≤ 2.5 ns.  
 D. The outputs are measured one at a time, with one transition per measurement.

**Figure 11. Test Circuit and Voltage Waveforms**

PARAMETER MEASUREMENT INFORMATION



A.  $C_L$  includes probe and jig capacitance.

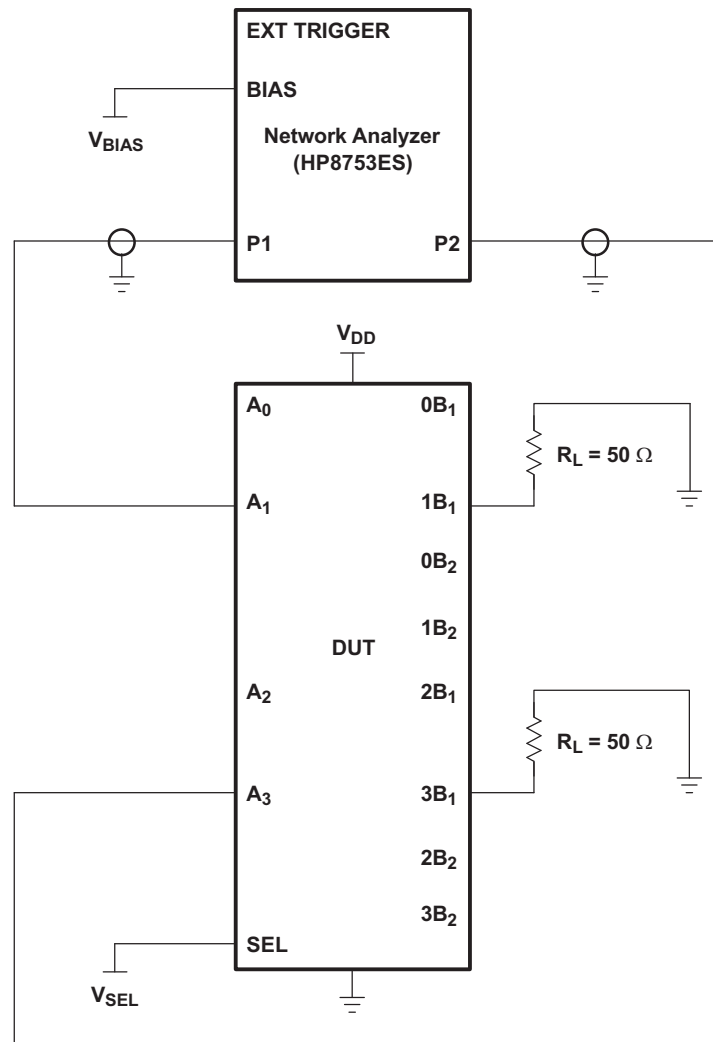
Figure 12. Test Circuit for Frequency Response (BW)

Frequency response is measured at the output of the ON channel. For example, when  $V_{SEL} = 0$  and  $A_0$  is the input, the output is measured at  $0B_1$ . All unused analog I/O ports are left open.

HP8753ES Setup

Average = 4  
 RBW = 3 kHz  
 $V_{BIAS} = 0.35 \text{ V}$   
 ST = 2 s  
 P1 = 0 dBm

## PARAMETER MEASUREMENT INFORMATION (continued)



- A.  $C_L$  includes probe and jig capacitance.
- B. A 50- $\Omega$  termination resistor is needed to match the loading of the network analyzer.

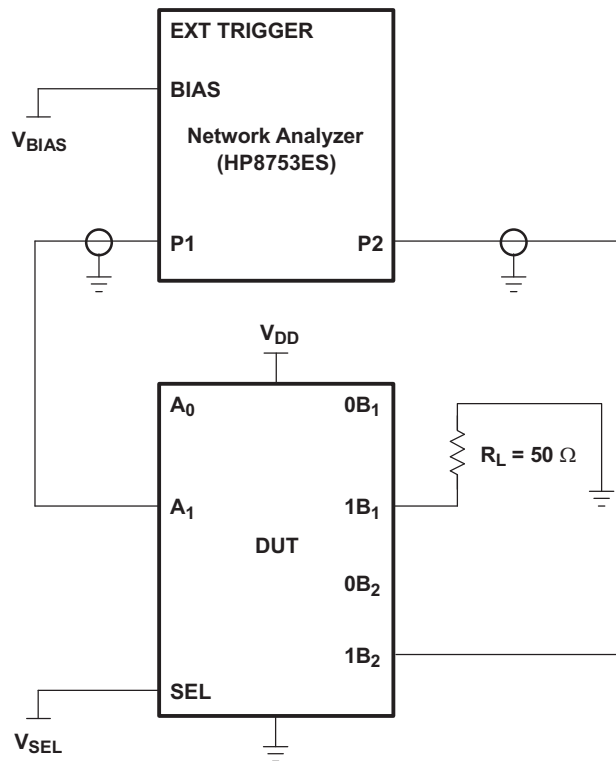
**Figure 13. Test Circuit for Crosstalk ( $X_{TALK}$ )**

Crosstalk is measured at the output of the nonadjacent ON channel. For example, when  $V_{SEL} = 0$  and  $A_1$  is the input, the output is measured at  $A_3$ . All unused analog input (A) ports are connected to GND, and output (B) ports are left open.

### HP8753ES Setup

Average = 4  
 RBW = 3 kHz  
 $V_{BIAS} = 0.35$  V  
 ST = 2 s  
 P1 = 0 dBm

PARAMETER MEASUREMENT INFORMATION (continued)



- A.  $C_L$  includes probe and jig capacitance.
- B. A 50- $\Omega$  termination resistor is needed to match the loading of the network analyzer.

**Figure 14. Test Circuit for OFF Isolation ( $O_{ISO}$ )**

OFF isolation is measured at the output of the OFF channel. For example, when  $V_{SEL} = GND$  and  $A_1$  is the input, the output is measured at  $1B_2$ . All unused analog input (A) ports are connected to ground, and output (B) ports are left open.

**HP8753ES Setup**

Average = 4  
 RBW = 3 kHz  
 $V_{BIAS} = 0.35\text{ V}$   
 ST = 2 s  
 P1 = 0 dBm

**PACKAGING INFORMATION**

Orderable Device	Status <sup>(1)</sup>	Package Type	Package Drawing	Pins	Package Qty	Eco Plan <sup>(2)</sup>	Lead/ Ball Finish	MSL Peak Temp <sup>(3)</sup>	Samples (Requires Login)
TS5USBA224RSWR	ACTIVE	UQFN	RSW	10	3000	Green (RoHS & no Sb/Br)	NIPDAU	Level-1-260C-UNLIM	

<sup>(1)</sup> The marketing status values are defined as follows:

**ACTIVE:** Product device recommended for new designs.

**LIFEBUY:** TI has announced that the device will be discontinued, and a lifetime-buy period is in effect.

**NRND:** Not recommended for new designs. Device is in production to support existing customers, but TI does not recommend using this part in a new design.

**PREVIEW:** Device has been announced but is not in production. Samples may or may not be available.

**OBSOLETE:** TI has discontinued the production of the device.

<sup>(2)</sup> Eco Plan - The planned eco-friendly classification: Pb-Free (RoHS), Pb-Free (RoHS Exempt), or Green (RoHS & no Sb/Br) - please check <http://www.ti.com/productcontent> for the latest availability information and additional product content details.

**TBD:** The Pb-Free/Green conversion plan has not been defined.

**Pb-Free (RoHS):** TI's terms "Lead-Free" or "Pb-Free" mean semiconductor products that are compatible with the current RoHS requirements for all 6 substances, including the requirement that lead not exceed 0.1% by weight in homogeneous materials. Where designed to be soldered at high temperatures, TI Pb-Free products are suitable for use in specified lead-free processes.

**Pb-Free (RoHS Exempt):** This component has a RoHS exemption for either 1) lead-based flip-chip solder bumps used between the die and package, or 2) lead-based die adhesive used between the die and leadframe. The component is otherwise considered Pb-Free (RoHS compatible) as defined above.

**Green (RoHS & no Sb/Br):** TI defines "Green" to mean Pb-Free (RoHS compatible), and free of Bromine (Br) and Antimony (Sb) based flame retardants (Br or Sb do not exceed 0.1% by weight in homogeneous material)

<sup>(3)</sup> MSL, Peak Temp. -- The Moisture Sensitivity Level rating according to the JEDEC industry standard classifications, and peak solder temperature.

**Important Information and Disclaimer:** The information provided on this page represents TI's knowledge and belief as of the date that it is provided. TI bases its knowledge and belief on information provided by third parties, and makes no representation or warranty as to the accuracy of such information. Efforts are underway to better integrate information from third parties. TI has taken and continues to take reasonable steps to provide representative and accurate information but may not have conducted destructive testing or chemical analysis on incoming materials and chemicals. TI and TI suppliers consider certain information to be proprietary, and thus CAS numbers and other limited information may not be available for release.

In no event shall TI's liability arising out of such information exceed the total purchase price of the TI part(s) at issue in this document sold by TI to Customer on an annual basis.



**TAPE AND REEL INFORMATION**

**QUADRANT ASSIGNMENTS FOR PIN 1 ORIENTATION IN TAPE**


\*All dimensions are nominal

Device	Package Type	Package Drawing	Pins	SPQ	Reel Diameter (mm)	Reel Width W1 (mm)	A0 (mm)	B0 (mm)	K0 (mm)	P1 (mm)	W (mm)	Pin1 Quadrant
TS5USBA224RSWR	UQFN	RSW	10	3000	180.0	8.4	1.59	2.09	0.72	4.0	8.0	Q1

TAPE AND REEL BOX DIMENSIONS

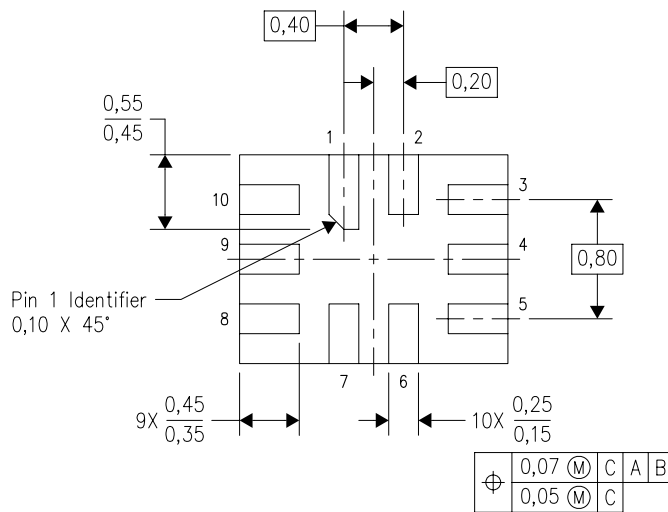
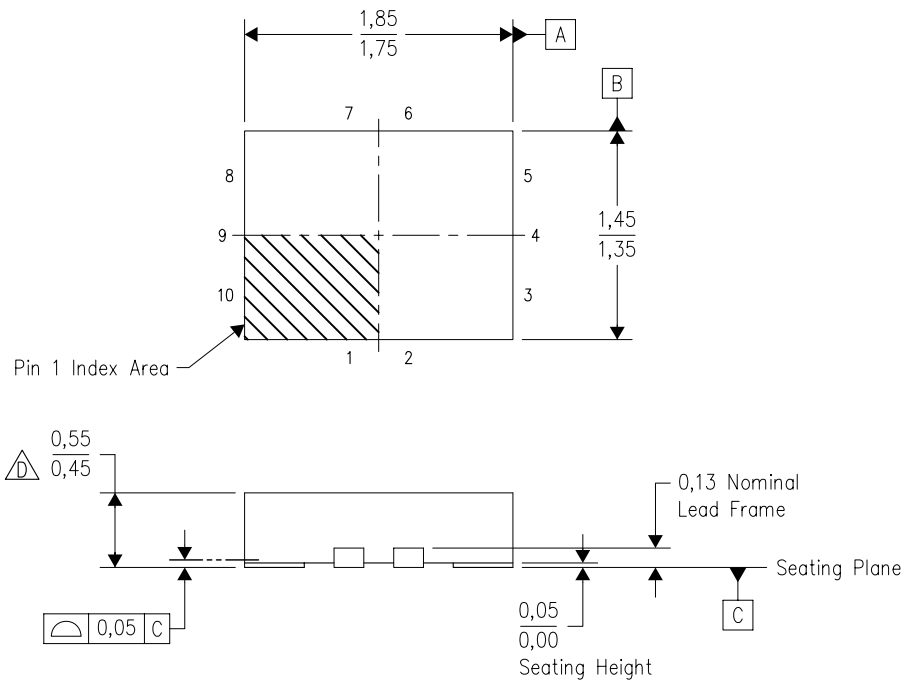


\*All dimensions are nominal

Device	Package Type	Package Drawing	Pins	SPQ	Length (mm)	Width (mm)	Height (mm)
TS5USBA224RSWR	UQFN	RSW	10	3000	202.0	201.0	28.0


RSW (R-PUQFN-N10)

PLASTIC QUAD FLATPACK NO-LEAD



Bottom View

4208097/C 07/2008

- NOTES:
- A. All linear dimensions are in millimeters. Dimensioning and tolerancing per ASME Y14.5M-1994.
  - B. This drawing is subject to change without notice.
  - C. QFN (Quad Flatpack No-lead) package configuration.
  -  This package complies to JEDEC MO-288 variation UDEE, except minimum package height.

## IMPORTANT NOTICE

Texas Instruments Incorporated and its subsidiaries (TI) reserve the right to make corrections, modifications, enhancements, improvements, and other changes to its products and services at any time and to discontinue any product or service without notice. Customers should obtain the latest relevant information before placing orders and should verify that such information is current and complete. All products are sold subject to TI's terms and conditions of sale supplied at the time of order acknowledgment.

TI warrants performance of its hardware products to the specifications applicable at the time of sale in accordance with TI's standard warranty. Testing and other quality control techniques are used to the extent TI deems necessary to support this warranty. Except where mandated by government requirements, testing of all parameters of each product is not necessarily performed.

TI assumes no liability for applications assistance or customer product design. Customers are responsible for their products and applications using TI components. To minimize the risks associated with customer products and applications, customers should provide adequate design and operating safeguards.

TI does not warrant or represent that any license, either express or implied, is granted under any TI patent right, copyright, mask work right, or other TI intellectual property right relating to any combination, machine, or process in which TI products or services are used. Information published by TI regarding third-party products or services does not constitute a license from TI to use such products or services or a warranty or endorsement thereof. Use of such information may require a license from a third party under the patents or other intellectual property of the third party, or a license from TI under the patents or other intellectual property of TI.

Reproduction of TI information in TI data books or data sheets is permissible only if reproduction is without alteration and is accompanied by all associated warranties, conditions, limitations, and notices. Reproduction of this information with alteration is an unfair and deceptive business practice. TI is not responsible or liable for such altered documentation. Information of third parties may be subject to additional restrictions.

Resale of TI products or services with statements different from or beyond the parameters stated by TI for that product or service voids all express and any implied warranties for the associated TI product or service and is an unfair and deceptive business practice. TI is not responsible or liable for any such statements.

TI products are not authorized for use in safety-critical applications (such as life support) where a failure of the TI product would reasonably be expected to cause severe personal injury or death, unless officers of the parties have executed an agreement specifically governing such use. Buyers represent that they have all necessary expertise in the safety and regulatory ramifications of their applications, and acknowledge and agree that they are solely responsible for all legal, regulatory and safety-related requirements concerning their products and any use of TI products in such safety-critical applications, notwithstanding any applications-related information or support that may be provided by TI. Further, Buyers must fully indemnify TI and its representatives against any damages arising out of the use of TI products in such safety-critical applications.

TI products are neither designed nor intended for use in military/aerospace applications or environments unless the TI products are specifically designated by TI as military-grade or "enhanced plastic." Only products designated by TI as military-grade meet military specifications. Buyers acknowledge and agree that any such use of TI products which TI has not designated as military-grade is solely at the Buyer's risk, and that they are solely responsible for compliance with all legal and regulatory requirements in connection with such use.

TI products are neither designed nor intended for use in automotive applications or environments unless the specific TI products are designated by TI as compliant with ISO/TS 16949 requirements. Buyers acknowledge and agree that, if they use any non-designated products in automotive applications, TI will not be responsible for any failure to meet such requirements.

Following are URLs where you can obtain information on other Texas Instruments products and application solutions:

<b>Products</b>		<b>Applications</b>	
Amplifiers	<a href="http://amplifier.ti.com">amplifier.ti.com</a>	Audio	<a href="http://www.ti.com/audio">www.ti.com/audio</a>
Data Converters	<a href="http://dataconverter.ti.com">dataconverter.ti.com</a>	Automotive	<a href="http://www.ti.com/automotive">www.ti.com/automotive</a>
DLP® Products	<a href="http://www.dlp.com">www.dlp.com</a>	Communications and Telecom	<a href="http://www.ti.com/communications">www.ti.com/communications</a>
DSP	<a href="http://dsp.ti.com">dsp.ti.com</a>	Computers and Peripherals	<a href="http://www.ti.com/computers">www.ti.com/computers</a>
Clocks and Timers	<a href="http://www.ti.com/clocks">www.ti.com/clocks</a>	Consumer Electronics	<a href="http://www.ti.com/consumer-apps">www.ti.com/consumer-apps</a>
Interface	<a href="http://interface.ti.com">interface.ti.com</a>	Energy	<a href="http://www.ti.com/energy">www.ti.com/energy</a>
Logic	<a href="http://logic.ti.com">logic.ti.com</a>	Industrial	<a href="http://www.ti.com/industrial">www.ti.com/industrial</a>
Power Mgmt	<a href="http://power.ti.com">power.ti.com</a>	Medical	<a href="http://www.ti.com/medical">www.ti.com/medical</a>
Microcontrollers	<a href="http://microcontroller.ti.com">microcontroller.ti.com</a>	Security	<a href="http://www.ti.com/security">www.ti.com/security</a>
RFID	<a href="http://www.ti-rfid.com">www.ti-rfid.com</a>	Space, Avionics & Defense	<a href="http://www.ti.com/space-avionics-defense">www.ti.com/space-avionics-defense</a>
RF/IF and ZigBee® Solutions	<a href="http://www.ti.com/lprf">www.ti.com/lprf</a>	Video and Imaging	<a href="http://www.ti.com/video">www.ti.com/video</a>
		Wireless	<a href="http://www.ti.com/wireless-apps">www.ti.com/wireless-apps</a>

Mailing Address: Texas Instruments, Post Office Box 655303, Dallas, Texas 75265  
Copyright © 2010, Texas Instruments Incorporated